



KST-C01 series CHAIN ACTUATOR

Product data sheet

SOON INDUSTRIAL CO., LTD.

Website: <https://www.soonkst.com/>

Email: soonkst@kstsoon.com

Taiwan office: 7F-4., No.22, Sec. 1, Meicun Rd., West Dist., Taichung City, 403, Taiwan

Tel: +886 4 23282785

Fax: +886 4 23282785

Youtube: [KST soon](#)

Linkedin: [Soon Industrial Co Ltd](#)

Taiwantrade: <http://soonkst.en.taiwantrade.com/>

KST-C01 series chain actuator

Features

Double link chain

- Made by **stainless steel**.
- Much more stable and smooth.



400N

- KST-C01 series can install on most of window types (below **40kgs**).
- For instance, Awning window, hopper window, casement window, center-pivot window, etc.

Overload protection system

Easy for installation and adjustment

Remote control function (optional)

Quite

- Noise level only **40 dB**.
- Recommend for School, Museum, household, healthcare center or any quite place.

Covered by aluminum alloy

- Greatly improves the rigidity and anti-corrosion.
- IP 32 rated.

Built-in control panel

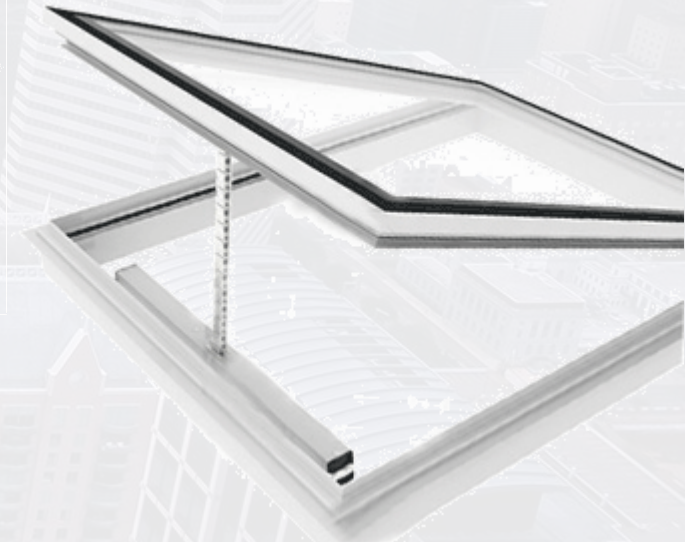
- KST-C01 chain actuator can synchronize with sensors directly without additional controller.
- Compatible with variety of **sensors**, such as, temperature, rain, humidity, smoke sensors, etc.



KST-C01 series chain actuator

Automatic window opener system

For following window types



KST-C01 series chain actuator

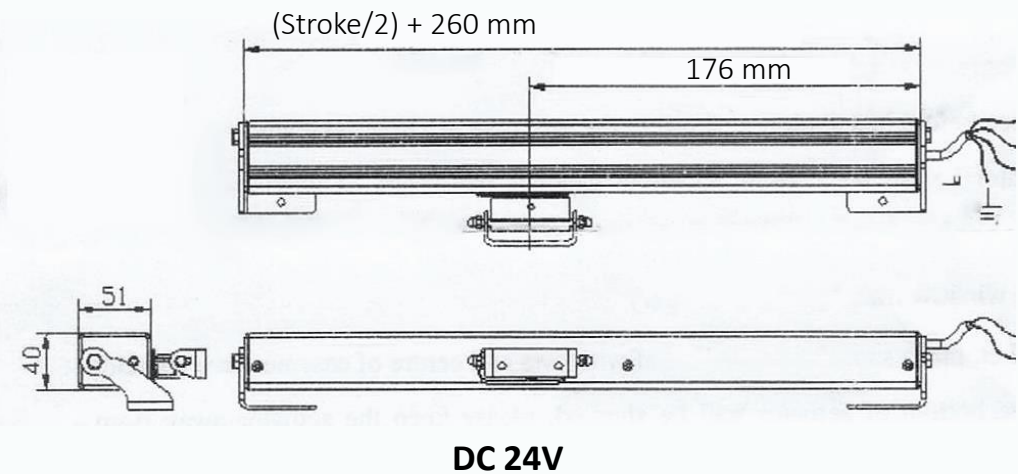
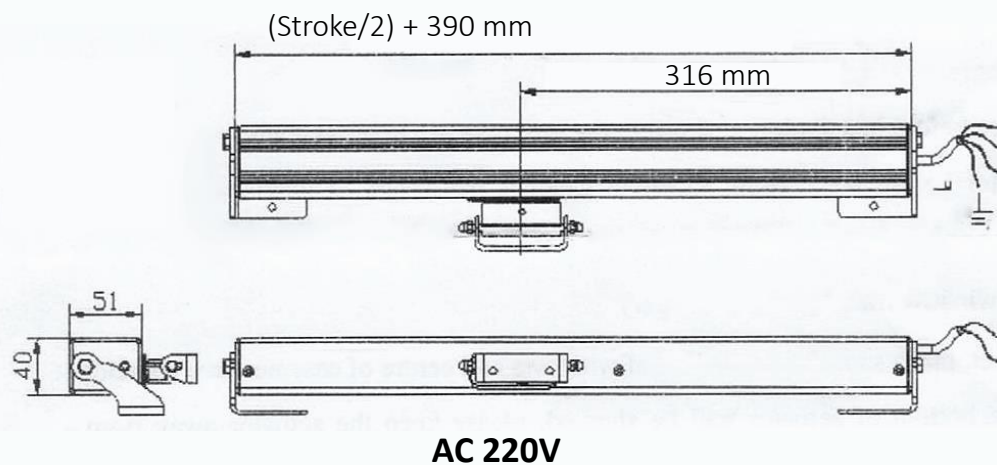
Specifications

Specifications

Maximum dynamic load	400 N/ 40 kgs/ 88 lbs
Maximum static load	600 N/ 61 kgs/ 135 lbs
Operation voltage/Current consumption	AC 220V/0.3A; DC 24V/1.6A
travel speed	10mm/sec (0.4 inches/ sec)
Operating condition	-20°C ~ 75°C
Standard color	light gray
IP rating	IP32
Noise level	40dB
Materials	aluminum, stainless steel
Certifications	CE, RoHS
Remote control	optional

Item no.	Operation voltage	Stroke length	Installation dimension
KST-C0102-DC	DC 24V	2 inches / 50 mm	11.2 inches / 285 mm
KST-C0106-DC	DC 24V	6 inches / 150 mm	13.2 inches / 335 mm
KST-C0108-DC	DC 24V	8 inches / 200 mm	14.4 inches / 365 mm
KST-C0112-DC	DC 24V	12 inches / 300 mm	16.3 inches / 415 mm

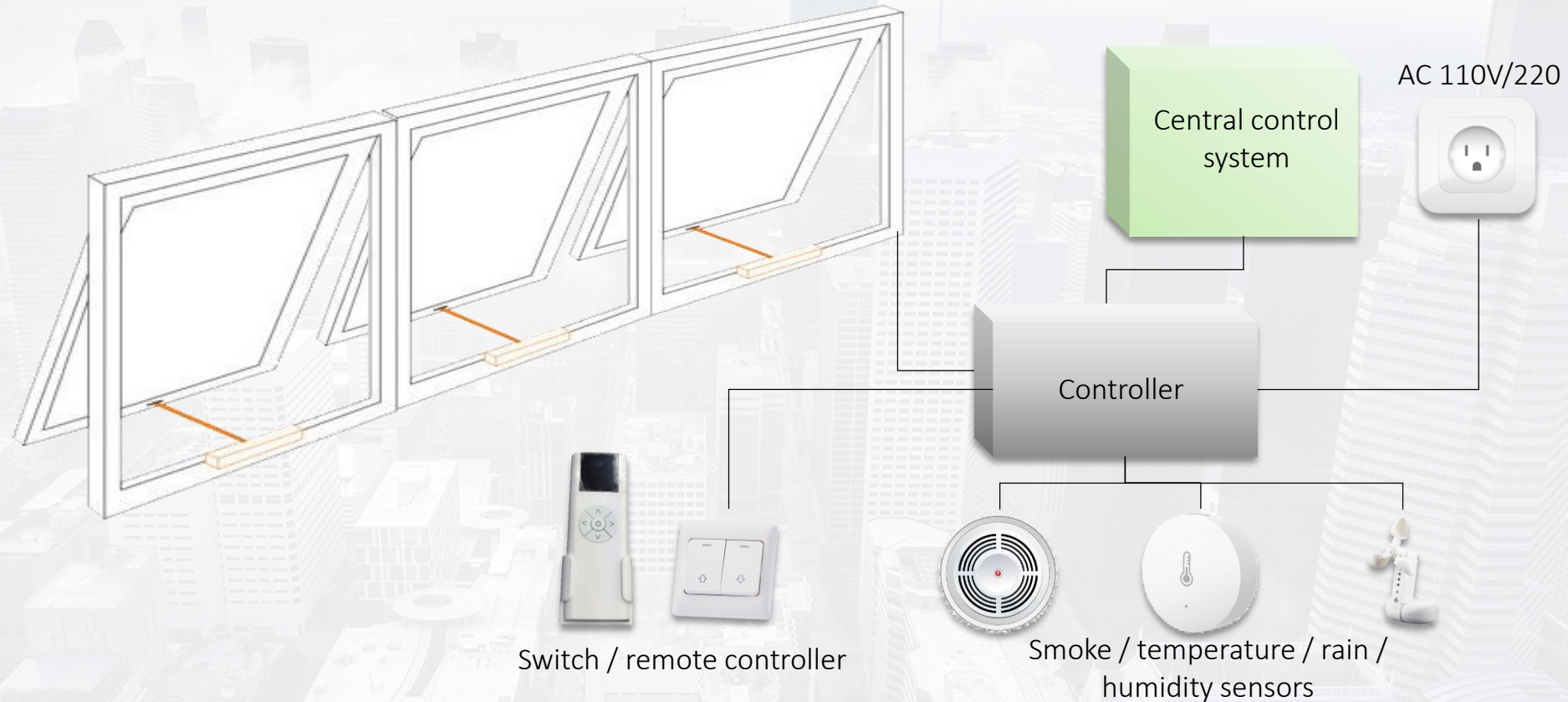
Item no.	Operation voltage	Stroke length	Installation dimension
KST-C0102-AC	AC 220V	2 inches / 50 mm	17.3 inches / 440 mm
KST-C0106-AC	AC 220V	6 inches / 150 mm	21.3 inches / 540 mm
KST-C0108-AC	AC 220V	8 inches / 200 mm	23.2 inches / 590 mm
KST-C0112-AC	AC 220V	12 inches / 300 mm	27.1 inches / 690 mm



KST-C01 series chain actuator



System diagram – DC 24V version



Manual control

Through either central control system or manual switch.



Automatic timer control

Setting daylight saving time and connecting to controller.



Automatic smoke ventilation

When the sensor detected the smoke of fire. It will send signal to actuator immediately. Window is going to open to remove the smoke.

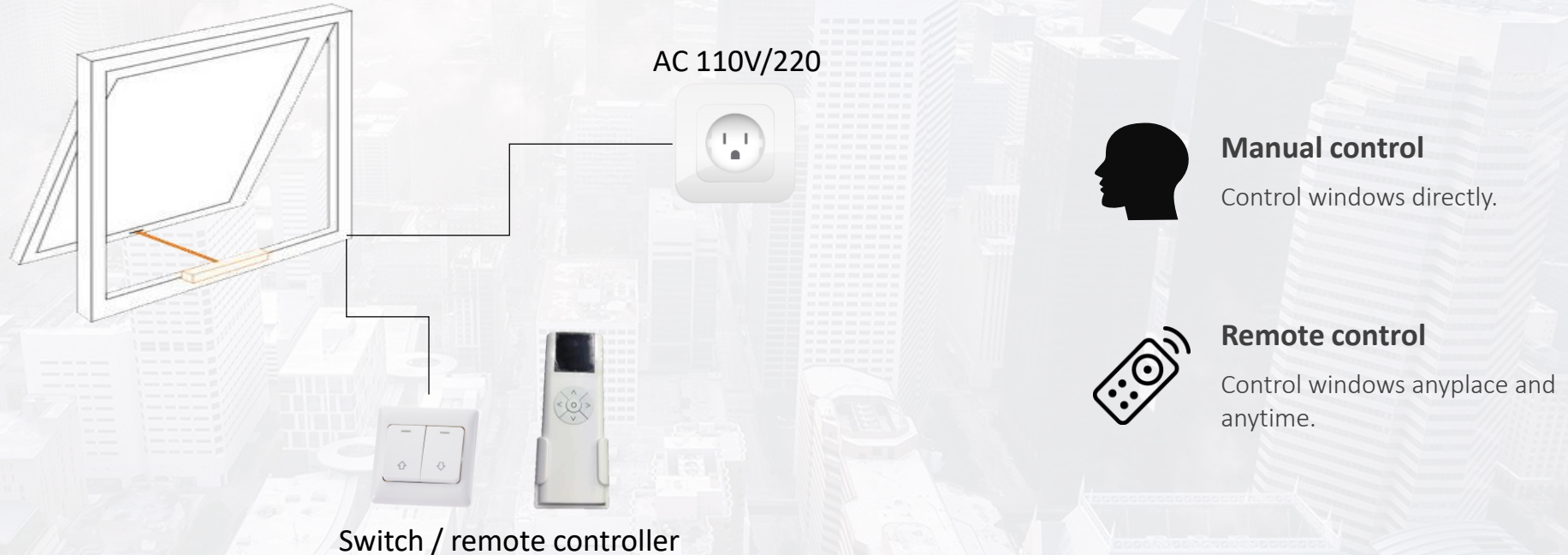


Automatic natural ventilation

To make people feel comfortable indoor. We can connect the actuator with the temperature, humidity, and CO2 sensors to improve the ventilation in the building.

KST-C01 series chain actuator

System diagram – AC 220V version



KST-C01 series chain actuator



Applications

